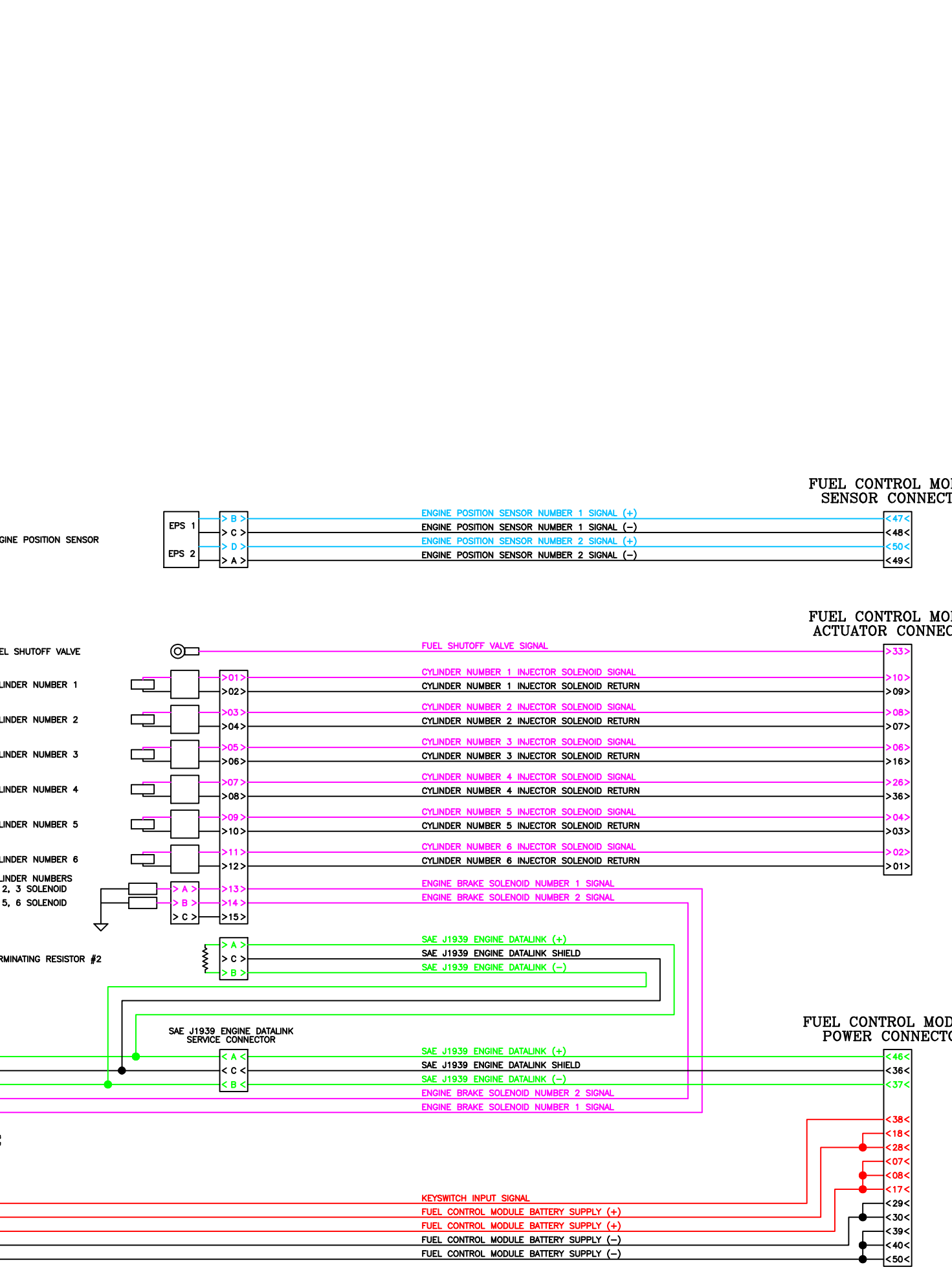
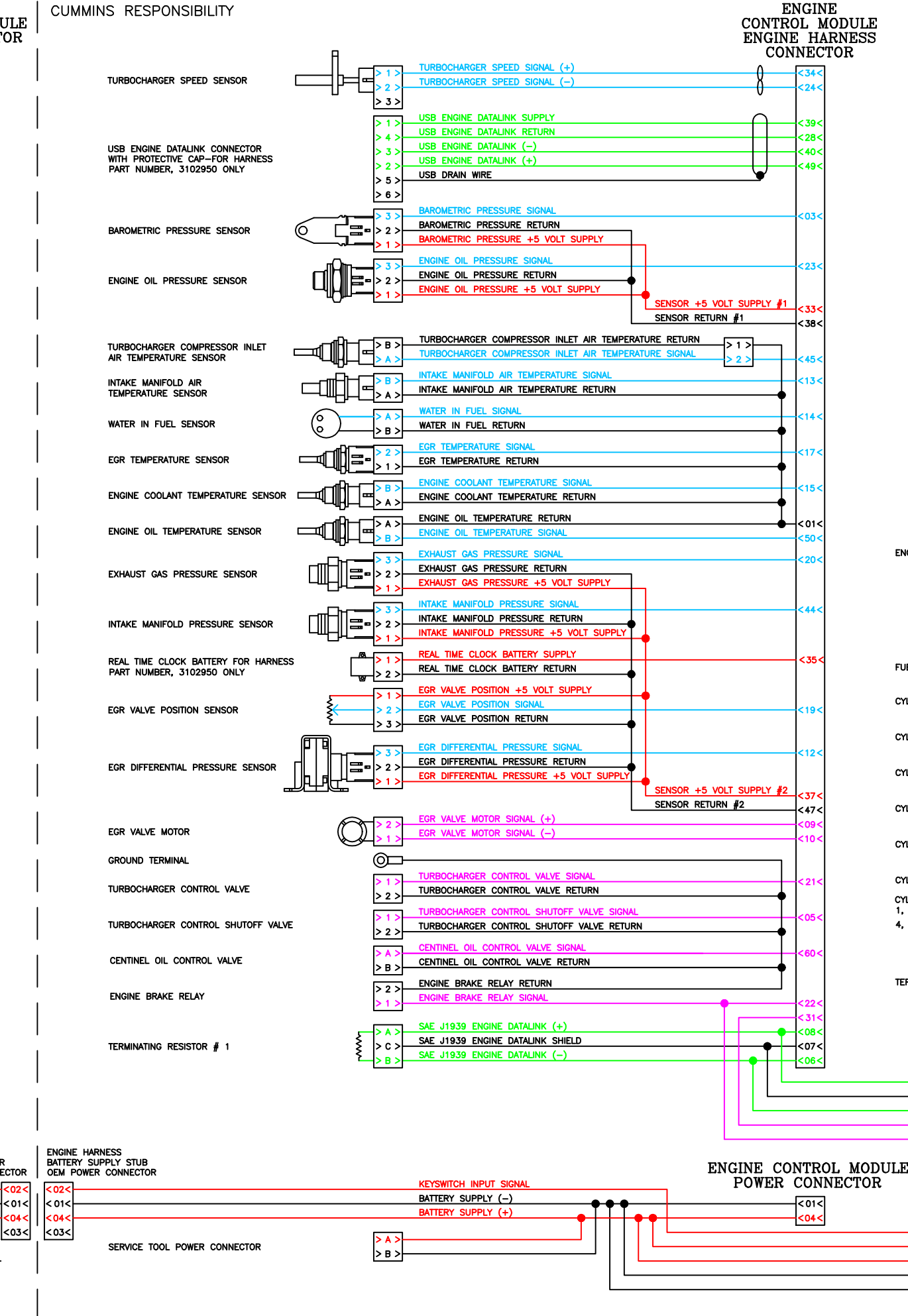
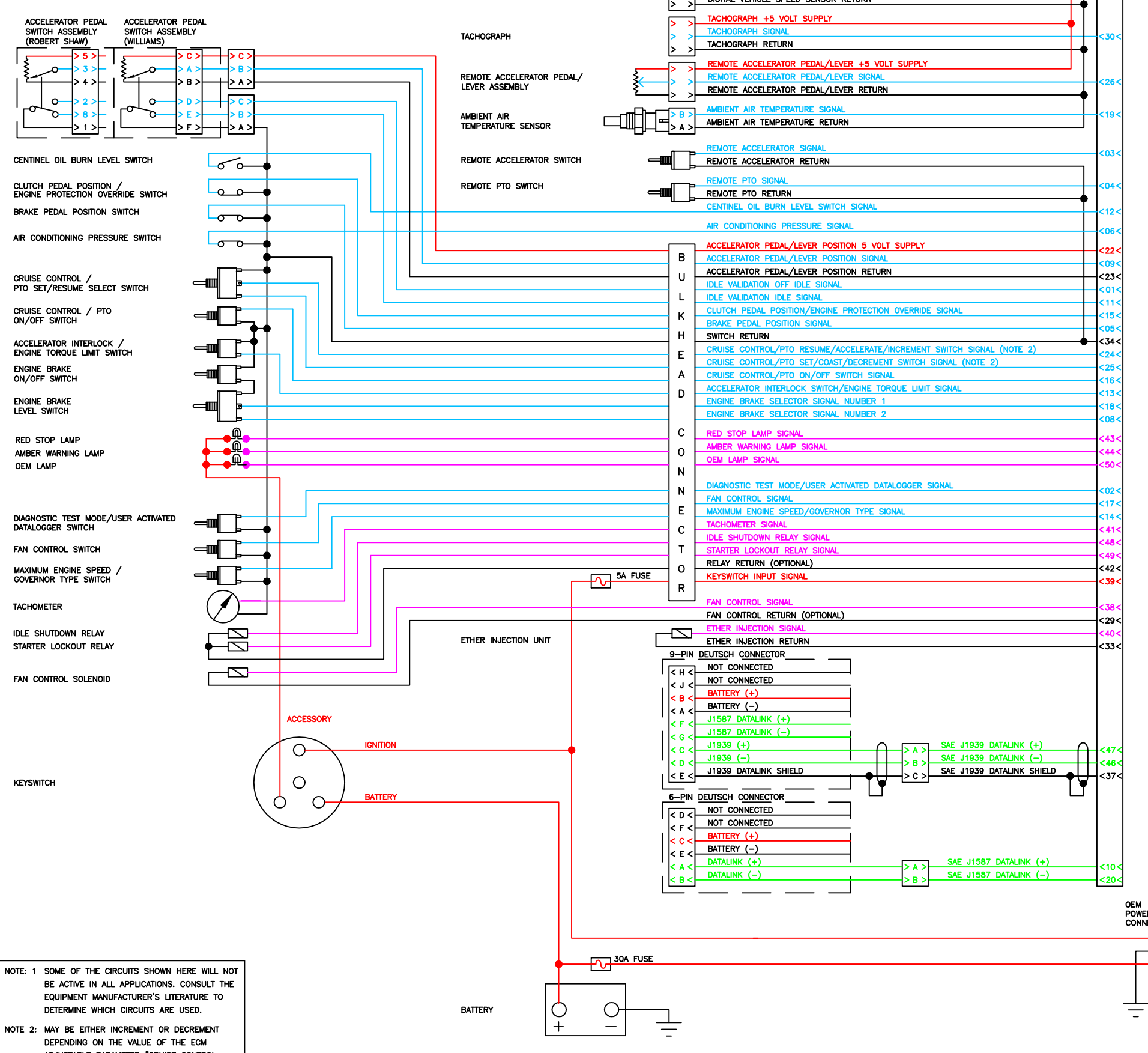


RED DC VOLTAGE
BLUE INPUT SIGNALS
BLACK GROUNDS, SHIELDS AND RETURNS
PURPLE OUTPUT SIGNALS
GREEN DATALINKS
 REPRESENTS FEMALE PIN
 REPRESENTS MALE PIN



NOTE 1: SOME OF THE CIRCUITS SHOWN HERE WILL NOT BE ACTIVE IN ALL APPLICATIONS. CONSULT THE EQUIPMENT MANUFACTURER'S LITERATURE TO DETERMINE WHICH CIRCUITS ARE USED.
 NOTE 2: MAY BE EITHER INCREMENT OR DECREMENT DEPENDING ON THE VALUE OF THE ECM ADJUSTABLE PARAMETER "CRUISE CONTROL SETUP".

