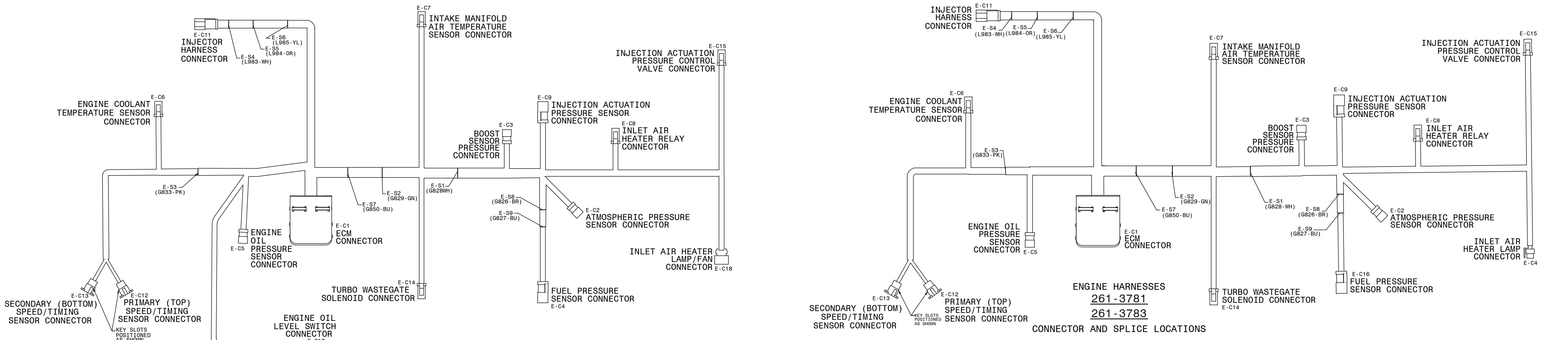
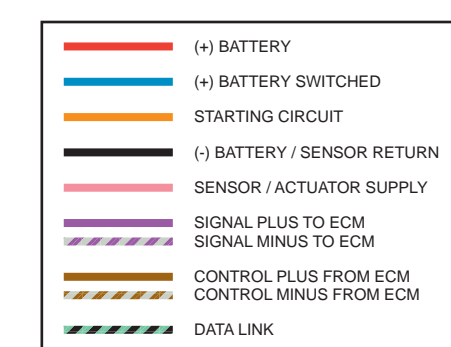
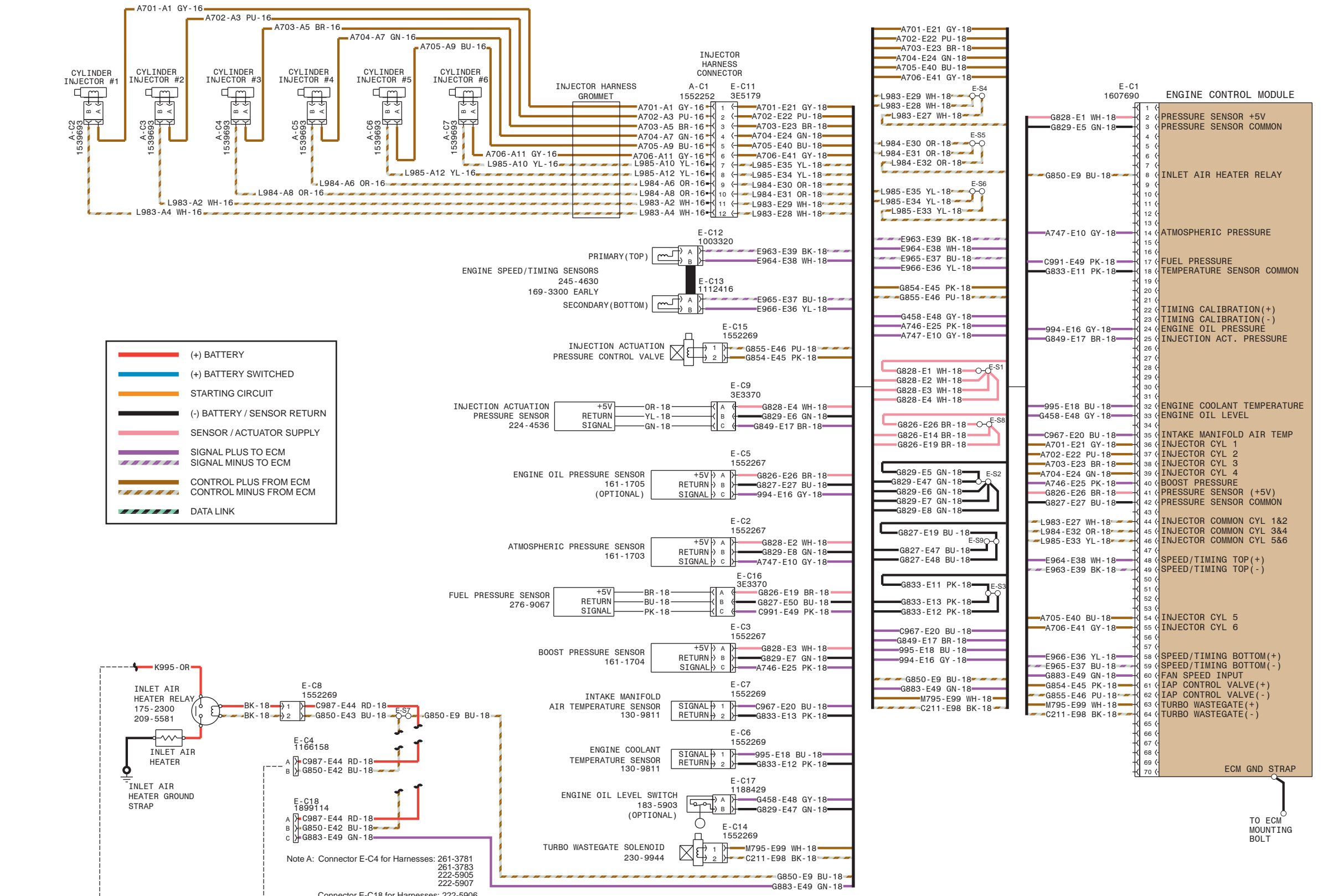




**ENGINE HARNESS WIRING DIAGRAM**

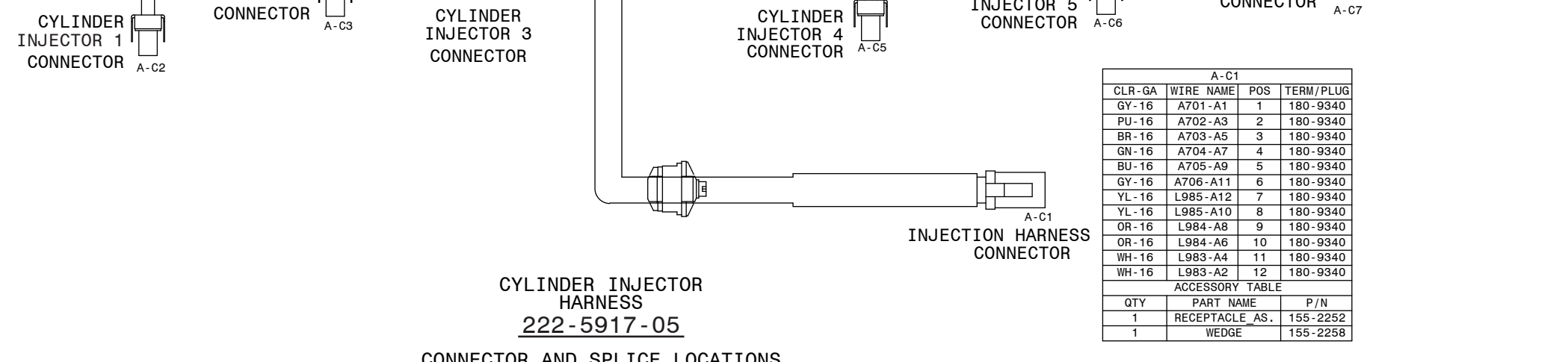


**ENGINE HARNESS 261-3782**  
**CONNECTOR AND SPLICE LOCATIONS**



E-C1			E-C2			E-C3			E-C4			E-C5			E-C6			E-C7			E-C8			E-C9			E-C10			E-C11			E-C12			E-C13			E-C14			E-C15									
CLR-GA	WIRE NAME	POS	TERM/PLUG	CLR-GA	WIRE NAME	POS	TERM/PLUG	CLR-GA	WIRE NAME	POS	TERM/PLUG	CLR-GA	WIRE NAME	POS	TERM/PLUG	CLR-GA	WIRE NAME	POS	TERM/PLUG	CLR-GA	WIRE NAME	POS	TERM/PLUG	CLR-GA	WIRE NAME	POS	TERM/PLUG	CLR-GA	WIRE NAME	POS	TERM/PLUG	CLR-GA	WIRE NAME	POS	TERM/PLUG	CLR-GA	WIRE NAME	POS	TERM/PLUG												
GR-18	GR82-E1	2	180-9340	GR-18	GR82-E2	2	180-9340	GR-18	GR82-E3	2	180-9340	GR-18	GR82-E4	2	180-9340	GR-18	GR82-E5	2	180-9340	GR-18	GR82-E6	2	180-9340	GR-18	GR82-E7	2	180-9340	GR-18	GR82-E8	2	180-9340	GR-18	GR82-E9	2	180-9340	GR-18	GR82-E10	2	180-9340	GR-18	GR82-E11	2	180-9340	GR-18	GR82-E12	2	180-9340	GR-18	GR82-E13	2	180-9340

A-C1			A-C2			A-C3			A-C4			A-C5			A-C6			A-C7																													
CLR-GA	WIRE NAME	POS	TERM/PLUG	CLR-GA	WIRE NAME	POS	TERM/PLUG	CLR-GA	WIRE NAME	POS	TERM/PLUG	CLR-GA	WIRE NAME	POS	TERM/PLUG	CLR-GA	WIRE NAME	POS	TERM/PLUG	CLR-GA	WIRE NAME	POS	TERM/PLUG	CLR-GA	WIRE NAME	POS	TERM/PLUG	CLR-GA	WIRE NAME	POS	TERM/PLUG	CLR-GA	WIRE NAME	POS	TERM/PLUG												
GR-18	GR82-E1	2	180-9340	GR-18	GR82-E2	2	180-9340	GR-18	GR82-E3	2	180-9340	GR-18	GR82-E4	2	180-9340	GR-18	GR82-E5	2	180-9340	GR-18	GR82-E6	2	180-9340	GR-18	GR82-E7	2	180-9340	GR-18	GR82-E8	2	180-9340	GR-18	GR82-E9	2	180-9340	GR-18	GR82-E10	2	180-9340	GR-18	GR82-E11	2	180-9340	GR-18	GR82-E12	2	180-9340



**CYLINDER INJECTOR HARNESS 222-5917-05**  
**CONNECTOR AND SPLICE LOCATIONS**